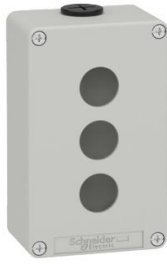


Product datasheet

Specifications



Harmony XAP, XB2 SL, Empty control station, zinc alloy, grey, M20, 3 cut-outs 22mm, 80 x 130 x 51,5, UL cULus

XAPD2203

EAN Code: 3389110001075

Main

Range Of Product	Harmony XAP
Product Or Component Type	Die-cast empty control station
Device Short Name	XAPD
Product Destination	For Ø 22 mm control and signalling units
Product Front Plate Size	80 x 130 mm
Usable Depth	49 mm
Number Of Cut-Out	3 cut-outs
Colour Of Base Of Enclosure	Grey (RAL 7035)
Colour Of Cover	Grey (RAL 7035)
Material	Die cast zinc
Sale Per Indivisible Quantity	1
Ip Degree Of Protection	IP65 conforming to EN/IEC 60529 and EN/IEC 60947-5-1 IP66 conforming to EN/IEC 60529 and EN/IEC 60947-5-1 IP69 conforming to EN/IEC 60529 and EN/IEC 60947-5-1

Complementary

Number Of Vertical Rows	1
Number Of Horizontal Rows	3
Cut-Out Dimensions	Ø 22 mm
Control Station Type	Metal
Cable Entry	2 x cable gland conforming to ISO
Thread Type	M20 x 1.5
Cad Overall Width	80 mm
Cad Overall Height	130 mm
Cad Overall Depth	51.5 mm
Net Weight	0.61 kg

Environment

Protective Treatment	TC
Ambient Air Temperature For Storage	-40...70 °C
Ambient Air Temperature For Operation	-25...70 °C
Electrical Shock Protection Class	Class I conforming to IEC 61140

Degree Of Protection	UL type 4 conforming to UL 50 E UL type 4X conforming to UL 50 E
Ik Degree Of Protection	IK07 conforming to IEC 62262
Resistance To Chemical Agents	Special treatment can be obtained on request
Product Certifications	UL cULus EAC

Packing Units

Unit Type Of Package 1	PCE
Number Of Units In Package 1	1
Package 1 Height	9.700 cm
Package 1 Width	8.900 cm
Package 1 Length	15.600 cm
Package 1 Weight	715.000 g
Unit Type Of Package 2	S03
Number Of Units In Package 2	12
Package 2 Height	30.000 cm
Package 2 Width	30.000 cm
Package 2 Length	40.000 cm
Package 2 Weight	8.985 kg

Contractual warranty

Warranty	18 months
-----------------	-----------

Sustainability

Green Premium™ label is Schneider Electric's commitment to delivering products with best-in-class environmental performance. Green Premium promises compliance with the latest regulations, transparency on environmental impacts, as well as circular and low-CO₂ products.

[Learn more >](#)



Transparency [RoHS/REACH](#)

Well-being performance

[Reach Free Of Svhc](#)

[Mercury Free](#)

[Rohs Exemption Information](#) [Yes](#)

Certifications & Standards

Reach Regulation [REACH Declaration](#)

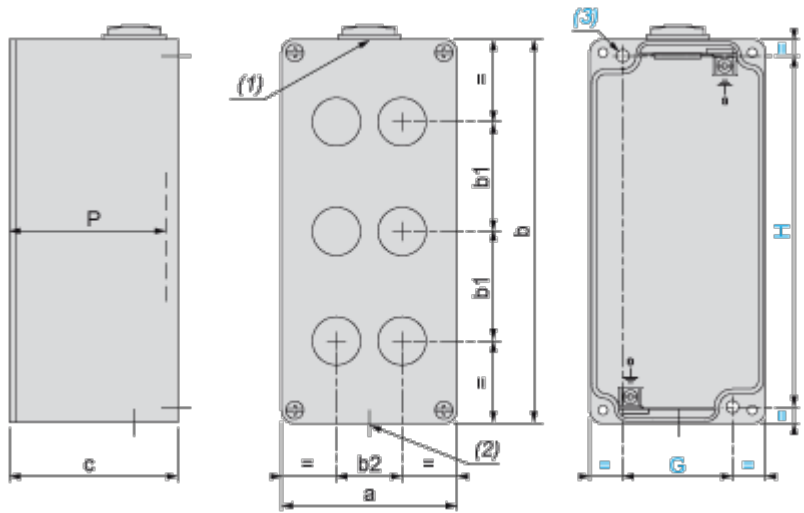
Eu Rohs Directive [Pro-active compliance \(Product out of EU RoHS legal scope\)](#)
[EU RoHS Declaration](#)

China Rohs Regulation [China RoHS declaration](#)

Environmental Disclosure [Product Environmental Profile](#)

Dimensions Drawings

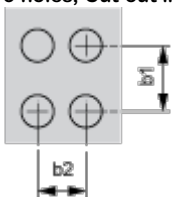
Dimensions and Fixing



- (1): 1 hole, with blanking plug (protrusion 6 mm/0.24 in.), for cable gland ISO M20 x 1.5
 - (2): 1 hole, without blanking plug, for cable gland ISO M20 x 1.5
 - (3): 2 x Ø 5.6 mm/0.22 in. holes, depth 19 mm/0.75 in.
- P: Usable depth

a		b		c		G		H		P	
mm	in.	mm	in.	mm	in.	mm	in.	mm	in.	mm	in.
80	3.15	130	5.12	51.5	2.03	50	1.97	115	4.56	49	1.93

3 holes, Cut-out interaxis 22.5 mm ± 0.2 mm / 0.885 in. ± 0.0078 in. dimensions (vertical mounting)



- b1 Vertical interaxis: 30 mm/1.18 in.
- b2 Horizontal interaxis: in center of the box