

# ERS-2/4 Series

Rapid shutdown switch (fire safety switch) -光伏用消防安全开关



## Product features -产品特点



- Max shut down one or two strings modules
- Maximum circuit current 55A
- Maximum circuit voltage 1500Vdc
- CE certificated
- PC + ABS material, IP66 protection grade
- Multi clock interface type optional (knockout hole / gland / MC4 terminal)
- The Isolation switches are TUV.CE.CB.SAA certificated
- Waterproof Vent valve to avoid condensation inside the shell
- Advanced temperature sensor is used to detect the highest temperature in the shell in real time temperature, when the internal temperature exceeds 70 degrees, automatic cut-off switch
- It is suitable for residential, industrial and commercial photovoltaic systems

- 最多关断1串2串组件
- 最大电路电流55A
- 最大回路电压1500Vdc
- 符合CE标准
- PC+ABS材质，IP66防护等级
- 多种接口类型可选（敲落孔/格兰头/MC4端子）
- 隔离开关符合TUV.CE.CB.SAA认证
- 配置防水透气阀，避免壳体内部凝露
- 采用先进温度传感器，实时检测壳体内最高环境温度，当内部温度超过70度，自动切断开关
- 适用于户用工商业等各类光伏系统

Product naming				
E	RS	□	-	□ - □
1	2	3		4 5

Code	Name	Description
1	<b>ASwich</b> brand	E
2	Rapid Shut-down Switch	RS
3	Rated Current	13:13A 20:20A 25:25A 40:40A 50:50A
4	Pole	2:2P 4:4P 4B:
5	Wiring	W: Cable Connector / Mc4: MC4 terminal / Blank

# ERS-2/4 Series

Rapid shutdown switch (fire safety switch) - 光伏用消防安全开关



## ■ Main parameter - 主要参数

Standard		Data
Main parameter	主要参数	ERS
String voltage (VDC)	组串电压 (Vdc)	300~1500
String current (A)	组串电流 (A)	9~55
Circuit	回路	1/2
Connection mode of Isolation switch	隔离开关接线方式	2/4/4B
Working voltage	工作电压	100Vac - 270Vac
Rated voltage	额定电压	230Vac
Rated current	额定电流	30mA
Starting (loading) current	启动 (加载) 电流	100mA (AVG)
Action current	动作电流	300mA (Max)
Contact action condition	触点动作条件	24Vdc -300mA (Max)
Operating temperature	操作温度	-20°C - +50°C
Maximum temperature before automatic shutdown	自动关机前最高温度	+70°C
Storage temperature	存储温度	-40°C - +85°C
Protection level	防护等级	IP66
Protection level	保护水平	II
Authentication	认证	CE
The DC isolation switch meets the standard	直流隔离开关符合标准	EN 60947-1&3
Mechanical life	机械寿命	10000
Number of loaded operations (PV1)	带载操作次数 (PV1)	>1500

## ■ Technical data - 技术数据

Data of ERS refer to built-in DC isolators. Data according to IEC60947-3(ed.3.2):2015,UL508i.Utilization category DC-PV1.								Pole number 极数	Circuit 回路	Model 型号
300V	600V	700V	800V	900V	1000V	1200V	1500V			
32	32	27	28	20	13	10	5	2	1	ERS13-2
40	40	35	30	25	20	10	6	2	1	ERS20-2
55	55	55	45	35	25	15	8	2	1	ERS25-2
50	50	50	50	50	50	40	30	2	1	ERS40-2
40	40	40	40	40	40	30	20	2	1	ERS55-2
32	32	27	26	20	13	10	5	4	2	ERS13-4
40	40	35	30	25	20	10	6	4	2	ERS20-4
55	55	55	45	35	25	15	8	4	2	ERS25-4
50	50	50	50	50	50	40	30	4	2	ERS40-4
40	40	40	40	40	40	30	20	4	2	ERS55-4
32	32	32	32	32	32	32	23	4	1	ERS13-4B
40	40	40	40	40	40	40	30	4	1	ERS20-4B
40	40	40	40	40	40	40	40	4	1	ERS25-4B
50	50	50	50	50	50	50	40	4	1	ERS40-4B
55	55	55	55	55	55	55	50	4	1	ERS50-4B

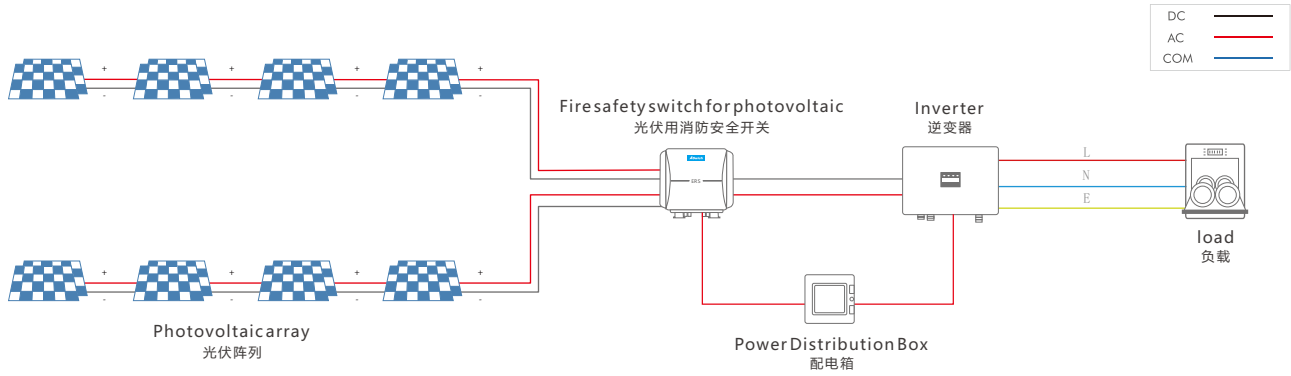
According to EN60947-3, AS/NZS 60947-3

# ERS-2/4 Series

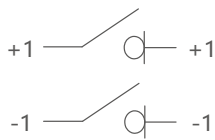
Rapid shutdown switch (fire safety switch) - 光伏用消防安全开关



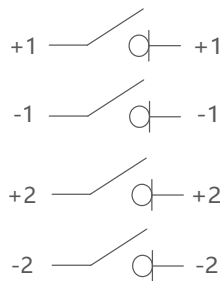
## ■ Sketch Map - 示意图



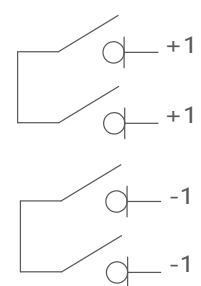
## ■ Wiring diagram - 接线示意图



2



4



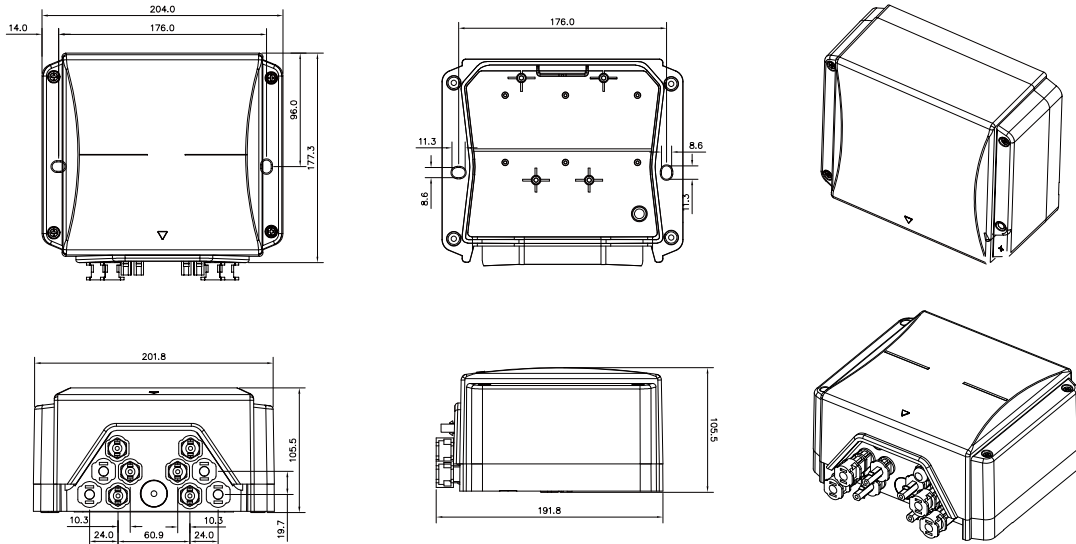
4B

# ERS-2/4 Series

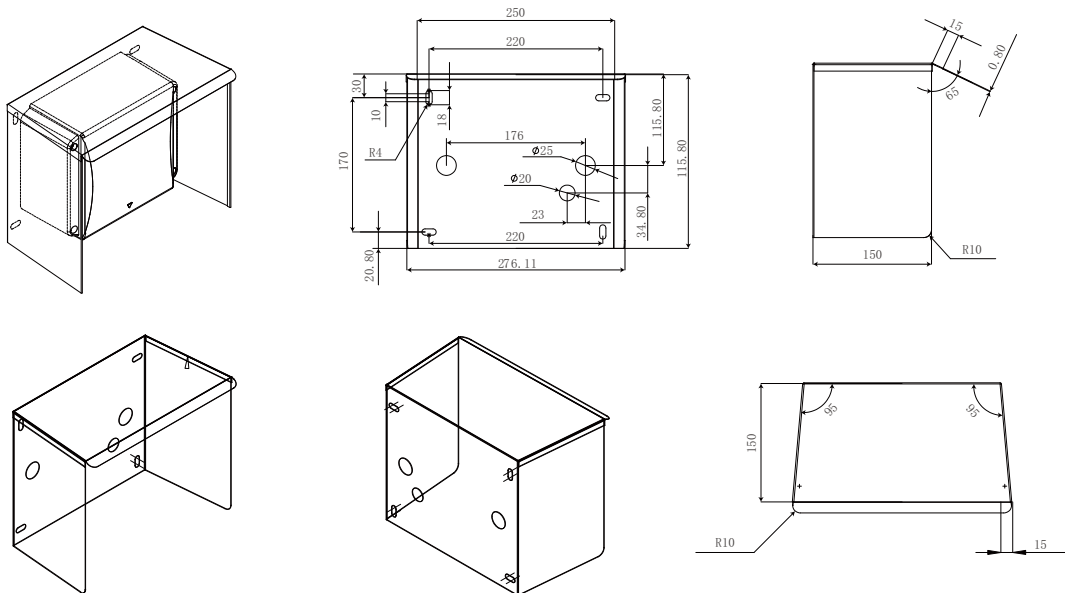
Rapid shutdown switch (fire safety switch) - 光伏用消防安全开关



## Product size - 产品尺寸



## Package size - 包装尺寸



Note: the fire safety switch cannot be installed in the place with direct sunlight, and the sun visor is recommended.

注意：消防安全开关不能安装在阳光直射的地方推荐使用遮掩板。

# ERS-6/8/10 Series

Rapid shutdown switch (fire safety switch) -光伏用消防安全开关



## Product features -产品特点



- Suitable for 3-string, 4-string, 5-string modules
- Maximum circuit current 55A
- Maximum circuit voltage 1500Vdc
- CE certified
- Sheet metal material, IP66 protection grade
- Multi clock interface type optional (knockout hole / gland / MC4 terminal)
- The Isolation switches are TUV.CE.CB.SAA certified
- Waterproof Vent valve to avoid condensation inside the shell
- Advanced temperature sensor is used to detect the highest temperature in the shell in real time temperature, when the internal temperature exceeds 70 degrees, automatic cut-off switch
- It is suitable for residential, industrial and commercial photovoltaic systems

- 适用3串,4串,5串组件
- 最大电路电流55A
- 最大回路电压1500Vdc
- 符合CE标准
- 钣金材质, IP66防护等级
- 多种接口类型可选 (格兰头/MC4端子)
- 隔离开关符合TUV.CE.CB.SAA认证
- 配置防水透气阀, 避免壳体内部凝露
- 采用先进温度传感器, 实时检测壳体内最高环境温度, 当内部温度超过70度, 自动切断开关
- 适用于户用,工商业等各类光伏系统

Product naming				
E	RS	□	-	□ - □
1	2	3		4 5

Code	Name	Description
1	<b>ASwich</b> brand	E
2	Rapid Shut-down Switch	RS
3	Rated Current	13:13A 20:20A 25:25A 40:40A 50:50A
4	Pole	6:6P 8:8P 10:10P
5	Wiring	W: Cable Connector / Mc4: MC4 terminal / Blank

# ERS-6/8/10 Series

Rapid shutdown switch (fire safety switch) - 光伏用消防安全开关



## ■ Main parameter - 主要参数

Standard		Data
Main parameter	主要参数	ERS
String voltage (VDC)	组串电压 (Vdc)	300~1500
String current (A)	组串电流 (A)	9~55
Circuit	回路	3/4/5
Connection mode of Isolation switch	隔离开关接线方式	6/8/10
Working voltage	工作电压	100Vac - 270Vac
Rated voltage	额定电压	230Vac
Rated current	额定电流	30mA
Starting (loading) current	启动 (加载) 电流	100mA (AVG)
Action current	动作电流	300mA (Max)
Contact action condition	触点动作条件	24Vdc -300mA (Max)
Operating temperature	操作温度	-20°C - +50°C
Maximum temperature before automatic shutdown	自动关机前最高温度	+70°C
Storage temperature	存储温度	-40°C - +85°C
Protection level	防护等级	IP66
Protection level	保护水平	II
Authentication	认证	CE
The DC isolation switch meets the standard	直流隔离开关符合标准	EN 60947-1&3
Mechanical life	机械寿命	10000
Number of loaded operations (PV1)	带载操作次数 (PV1)	>1500

## ■ Technical data - 技术数据

Data of ERS refer to built-in DC isolators. Data according to IEC60947-3(ed.3.2):2015,UL508i.Utilization category DC-PV1.							Pole number 极数	Circuit 回路	Model 型号
600V	700V	800V	900V	1000V	1200V	1500V			
32	27	26	20	13	10	5	6	3	ERS13-6
40	35	30	25	20	10	6	6	3	ERS20-6
55	55	45	35	25	15	8	6	3	ERS25-6
40	40	40	40	40	30	20	6	3	ERS40-6
50	50	50	50	50	40	30	6	3	ERS50-6
32	27	26	20	13	10	5	8	4	ERS13-8
40	35	30	25	20	10	6	8	4	ERS20-8
55	55	45	35	25	15	8	8	4	ERS25-8
40	40	40	40	40	30	20	8	4	ERS40-8
50	50	50	50	50	40	30	8	4	ERS50-8
32	27	26	20	13	10	5	10	5	ERS13-10
40	35	30	25	20	10	6	10	5	ERS20-10
55	55	45	35	25	15	8	10	5	ERS25-10
40	40	40	40	40	30	20	10	5	ERS40-10
50	50	50	50	50	40	30	10	5	ERS50-10

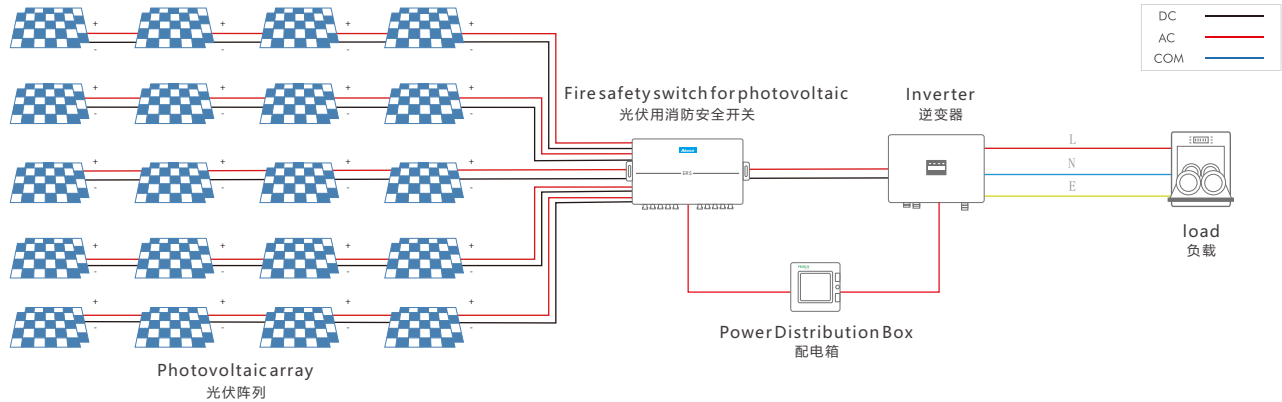
According to EN60947-3, AS/NZS 60947-3

# ERS-6/8/10 Series

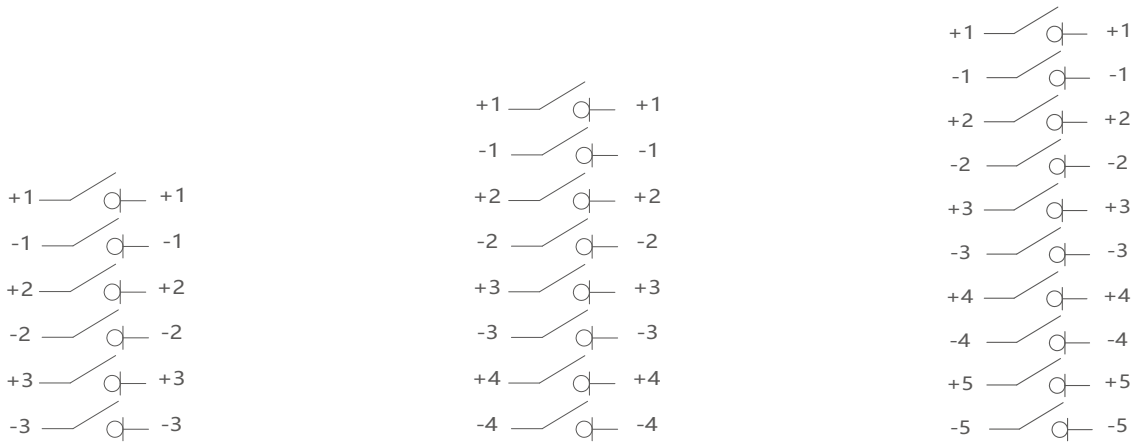
Rapid shutdown switch (fire safety switch) -光伏用消防安全开关



## ■ Sketch Map -示意图



## ■ Wiring diagram -接线示意图



6

8

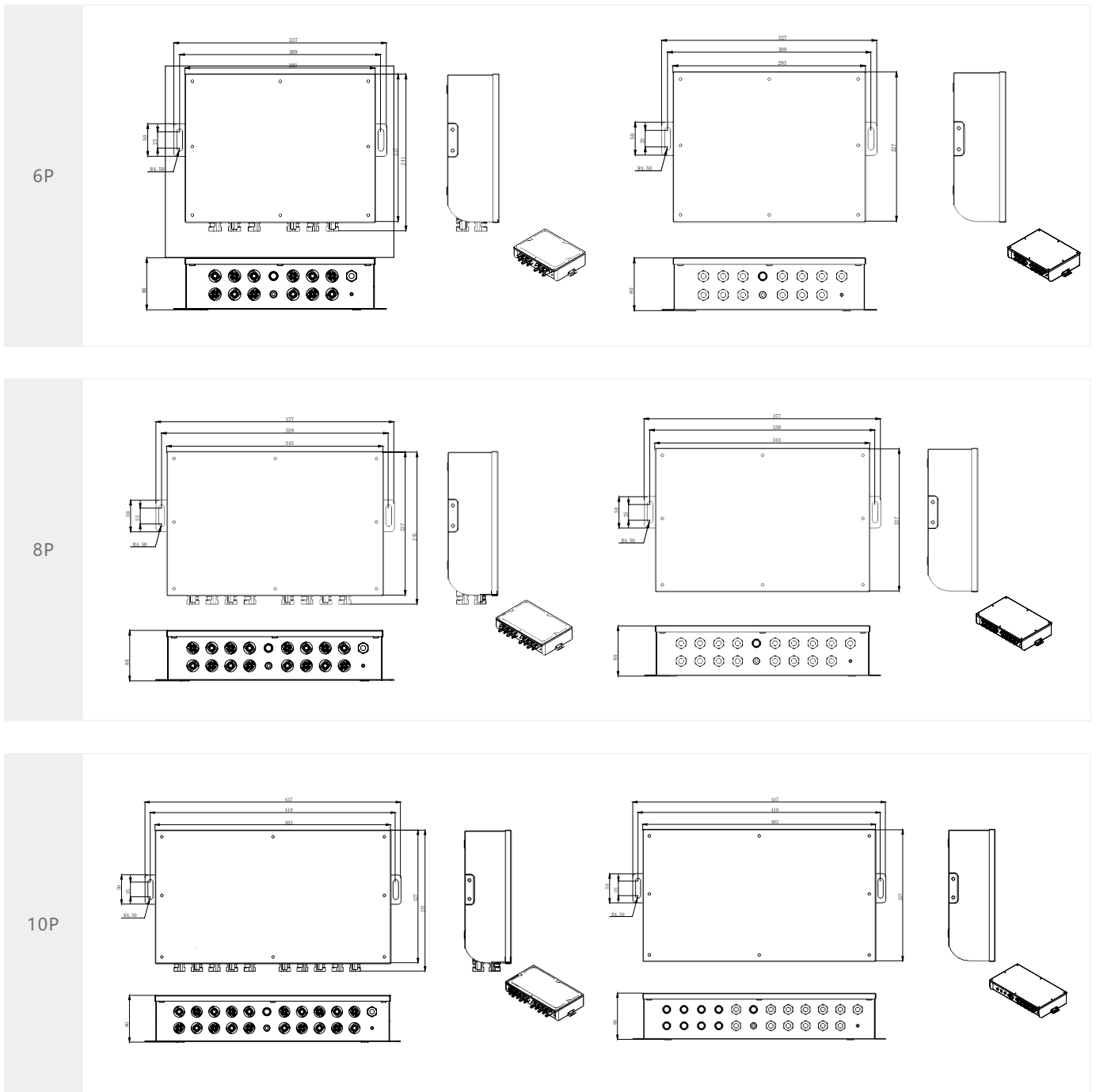
10

# ERS-6/8/10 Series

Rapid shutdown switch (fire safety switch) - 光伏用消防安全开关



## Product size - 产品尺寸



Note: the fire safety switch cannot be installed in the place with direct sunlight, and the sun visor is recommended.

注意：消防安全开关不能安装在阳光直射的地方推荐使用遮掩板。



# ERS-12~20 Large Series

Rapid shutdown switch (fire safety switch) -光伏用消防安全开关



## Product features -产品特点

- Suitable for 6-10-string modules
  - Maximum circuit current 55A
  - Maximum circuit voltage 1500Vdc
  - CE certificated
  - Sheet metal material, IP66 protection grade
  - Multi clock interface type optional (knockout hole / gland / MC4 terminal)
  - The Isolation switches are TUV.CE.CB.SAA certificated
  - Waterproof Vent valve to avoid condensation inside the shell
  - Advanced temperature sensor is used to detect the highest temperature in the shell in real time temperature, when the internal temperature exceeds 70 degrees, automatic cut-off switch
  - It is suitable for residential, industrial and commercial photovoltaic systems
- 适用6串-10串组件
  - 最大电路电流55A
  - 最大回路电压1500Vdc
  - 符合CE标准
  - 钣金材质, IP66防护等级
  - 多种接口类型可选 (格兰头/MC4端子)
  - 隔离开关符合TUV.CE.CB.SAA认证
  - 配置防水透气阀, 避免壳体内部凝露
  - 采用先进温度传感器, 实时检测壳体内最高环境温度, 当内部温度超过70度, 自动切断开关
  - 适用于户用、工商业等各类光伏系统

Product naming				
E 1	RS 2	□ 3	-	□ 4
			-	□ 5

Code	Name	Description
1	<b>ASwich</b> brand	E
2	Rapid Shut-down Switch	RS
3	Rated Current	13:13A 20:20A 25:25A 40:40A 50:50A
4	Pole	12:12P 14:14P 16:16P 18:18P 20:20P
5	Wiring	W: Cable Connector / Mc4: MC4 terminal / Blank

# ERS-12~20 Large Series

Rapid shutdown switch (fire safety switch) - 光伏用消防安全开关



## ■ Main parameter - 主要参数

	Standard	Data
Main parameter	主要参数	ERS
String voltage (VDC)	组串电压 (Vdc)	300~1500
String current (A)	组串电流 (A)	9~55
Circuit	回路	6, 8, 10
Connection mode of Isolation switch	隔离开关接线方式	12, 16, 20
Working voltage	工作电压	100Vac - 270Vac
Rated voltage	额定电压	230Vac
Rated current	额定电流	60mA
Starting (loading) current	启动 (加载) 电流	200mA (AVG)
Action current	动作电流	600mA (Max)
Contact action condition	触点动作条件	24Vdc - 600mA (Max)
Operating temperature	操作温度	-20°C - +50°C
Maximum temperature before automatic shutdown	自动关机前最高温度	+70°C
Storage temperature	存储温度	-40°C - +85°C
Protection level	防护等级	IP66
Protection level	保护水平	II
Authentication	认证	CE
The DC isolation switch meets the standard	直流隔离开关符合标准	EN 60947-1&3
Mechanical life	机械寿命	10000
Number of loaded operations (PV1)	带载操作次数 (PV1)	>1500

## ■ Technical data - 技术数据

Data of ERS refer to built-in DC isolators. Data according to IEC60947-3(ed.3.2):2015,UL508i.Utilization category DC-PV1.						Pole number 极数	Circuit 回路	Model 型号
300V	700V	800V	1000V	1200V	1500V			
16	16	16	9	6	3	12	6	ERS16-12
25	25	22	11	8	4	12	6	ERS25-12
32	32	26	13	10	5	12	6	ERS32-12
40	40	30	20	10	6	12	6	ERS40-12
55	55	45	25	15	8	12	6	ERS55-12
40	40	40	40	30	20	12	6	ERS40H-12
50	50	50	50	40	30	12	6	ERS50H-12
16	16	16	9	6	3	16	8	ERS16-16
25	25	22	11	8	4	16	8	ERS25-16
32	32	26	13	10	5	16	8	ERS32-16
40	40	30	20	10	6	16	8	ERS40-16
55	55	45	25	15	8	16	8	ERS55-16
40	40	40	40	30	20	16	8	ERS40H-16
50	50	50	50	40	30	16	8	ERS50H-16
40	40	40	40	30	20	20	10	ERS40H-20
50	50	50	50	40	30	20	10	ERS50H-20

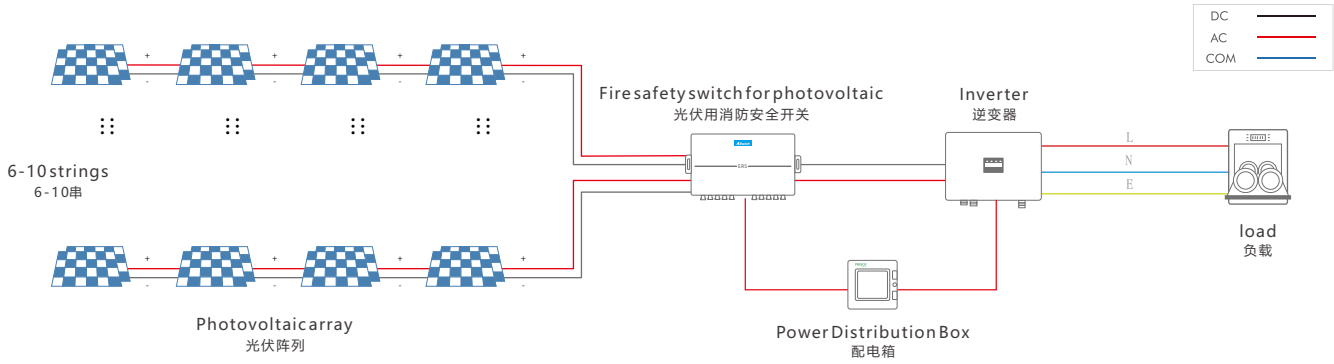
According to EN60947-3, AS/NZS 60947-3

# ERS-12~20 Large Series

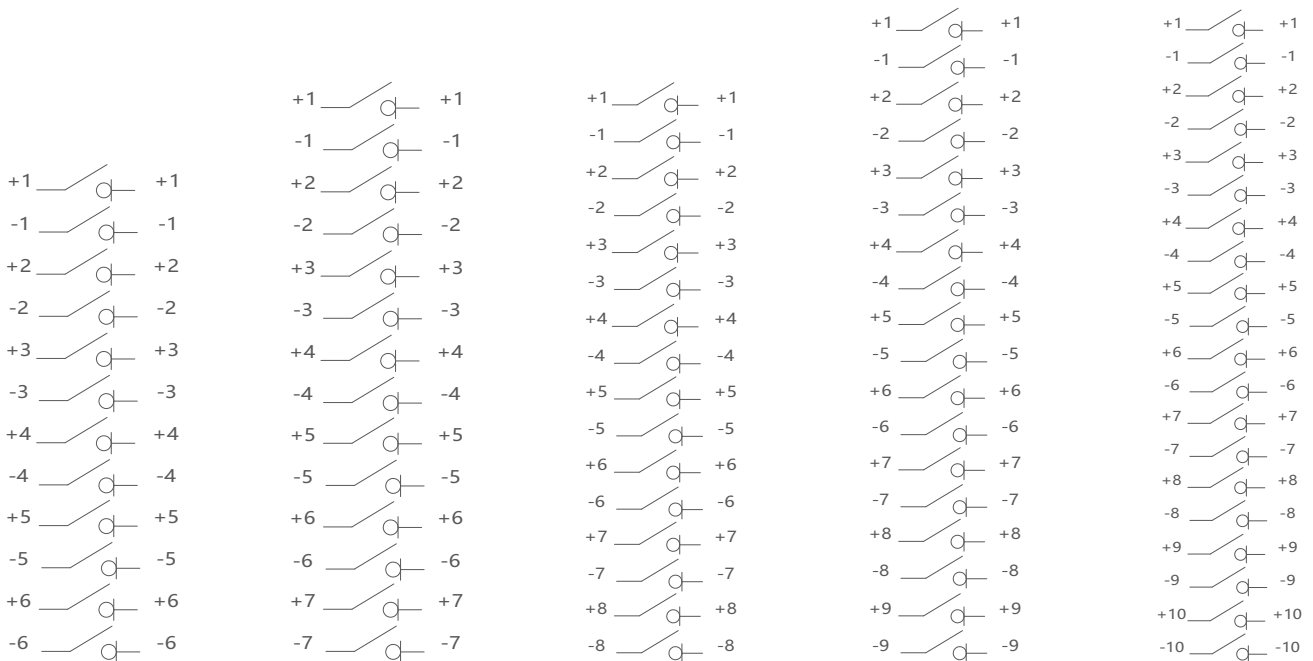
Rapid shutdown switch (fire safety switch) -光伏用消防安全开关



## ■ Sketch Map -示意图



## ■ Wiring diagram -接线示意图

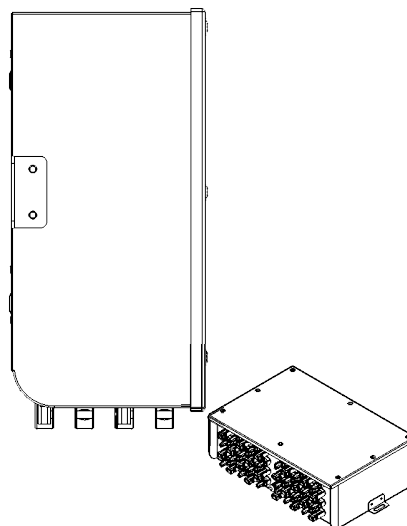
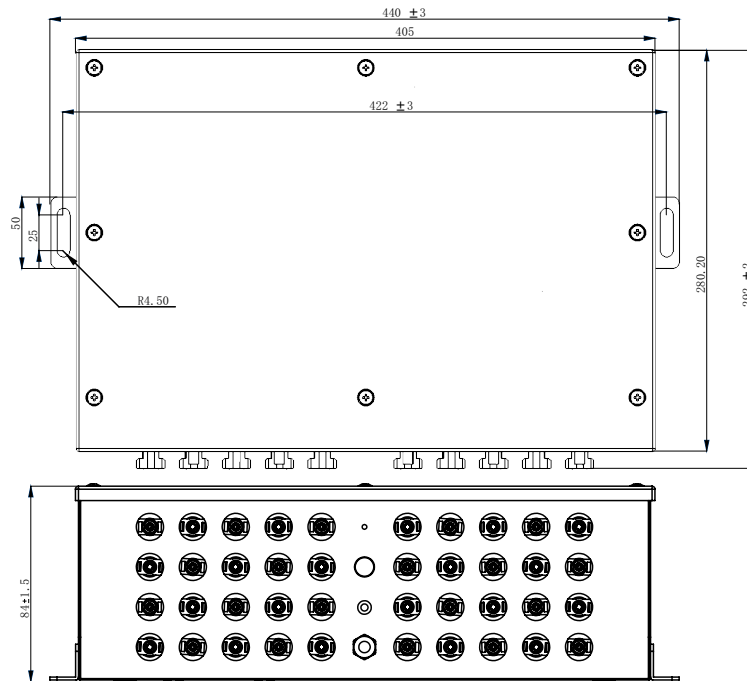


# ERS-12~20 Large Series

Rapid shutdown switch (fire safety switch) - 光伏用消防安全开关



## Product size - 产品尺寸



Note: the fire safety switch cannot be installed in the place with direct sunlight, and the sun visor is recommended.

注意：消防安全开关不能安装在阳光直射的地方推荐使用遮掩板。