

SHOWER BOARDS: CV8-NPS



Non- Priority Shower Board CV8-NPS

Garo Shower Boards are designed to facilitate the use of two electric showers which are being supplied from a domestic 63A single phase supply. Both showers may continually use <3kW of power each, however, when one exceeds this power use the Board will automatically cut the power to the second shower thus protecting the main supply fuse.

TECHNICAL DATA

- Degree of protection IP40
- Resistance to impact IK08
- Auto-extinguishing HB (UL94) degree
- Test of resistance to glow wire 650° C
- Ball pressure test 70° C

According to 2006/95/CE directive and EN 61439-1 and UNE-EN 61439-3 norms on affected parts.

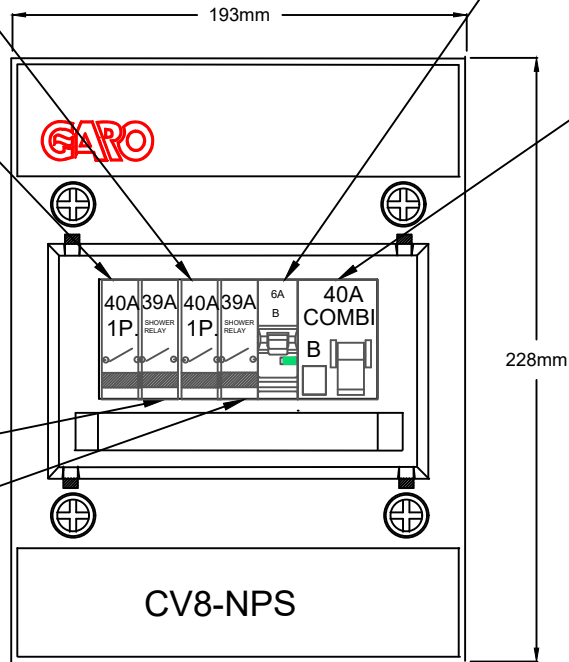
40A 1/P CONTACTOR
SHOWER NO.1
FEED TO BE CONNECTED

40A 1/P CONTACTOR
SHOWER NO.2
FEED TO BE CONNECTED

CONTROL
6A S/P MCB

MAIN 40A
RCBO

LOAD SHEDDING RELAYS
UP TO 39A
REQUIRE 11-12 AMPS TO OPERATE



NOTES:

BOTH SHOWERS MUST BE DRAWING OVER 3KW FOR LOAD RELAY TO OPERATE.

BOTH SHOWER NEUTRALS TO BE CONNECTED TO MAIN NEUTRAL BAR

MAINS CABLE TO BE CONNECTED TO THE BOTTOM OF 40A RCBO

						=
						+
NO	DESCRIPTION	DATE	NAME	CHECK	APPD	

PROJECT
Non-Priority Shower Board



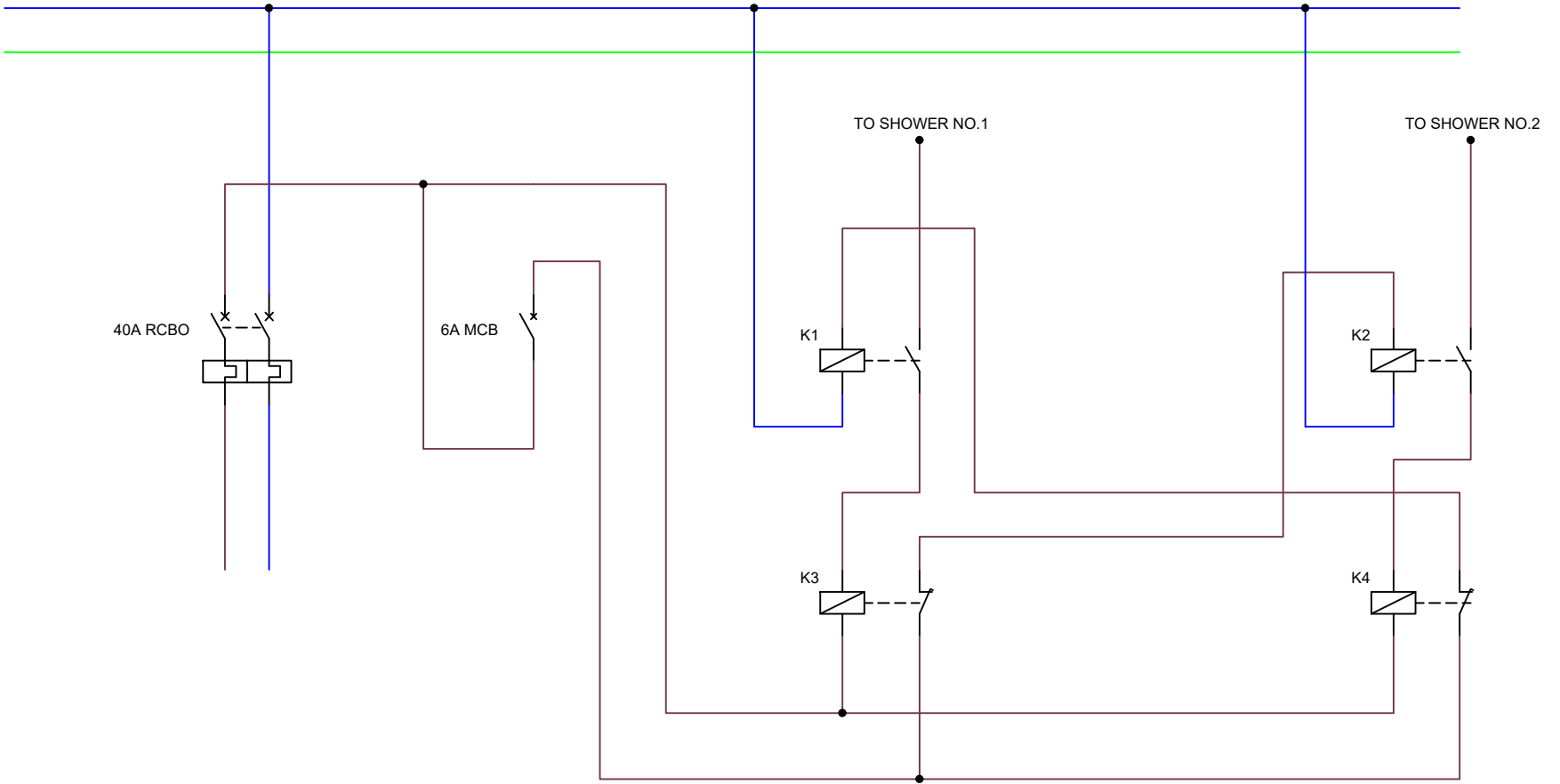
Unit 19 / 307
Northwest Business park
Ballycoolin
Dublin 15

DRAWING No.
CV8-NPS

SHEET
-1

PROJECT No

1 2 3 4 5 6 7 8



- K1 - 40A 1/P CONTACTOR (SHOWER NO.1)
- K2 - 40A 1/P CONTACTOR (SHOWER NO.2)
- K3 - CURRENT SENSING RELAY (SHOWER NO.1)
- K4 - CURRENT SENSING RELAY (SHOWER NO.2)

****NOTE: UNITS MUST BE DRAWING AT LEAST 11-12 AMPS TO OPERATE

NO	DESCRIPTION	DATE	NAME	CHECK	APPD

PROJECT

GARO Unit 19 / 307
Northwest Business park
Ballycoolin
Dublin 15

DRAWING No. NON-PRIORITY	SHEET -1
PROJECT No	