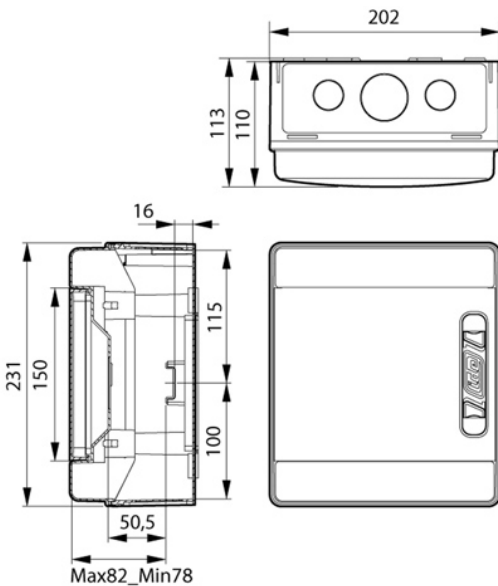


## Domestic Consumer Units

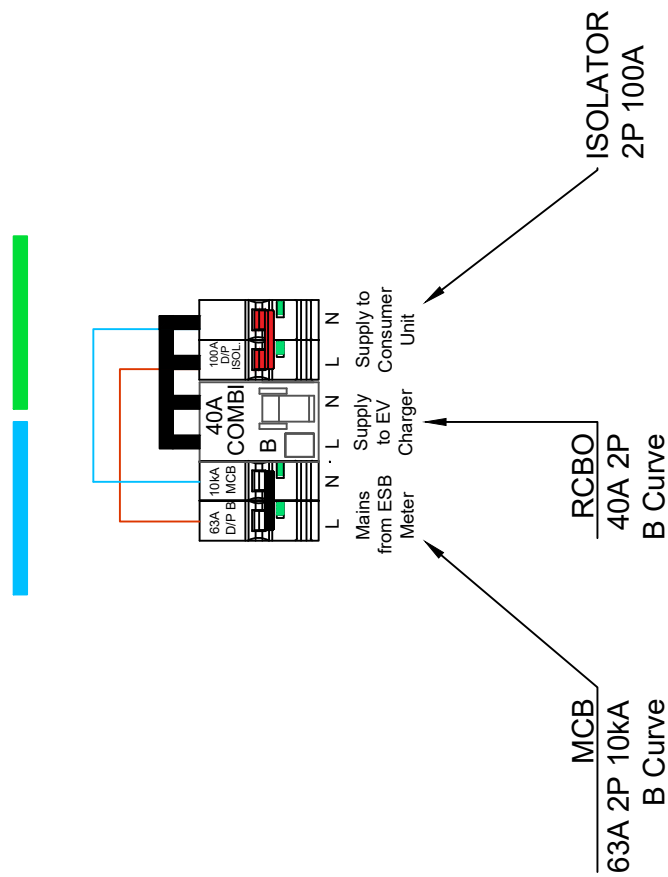
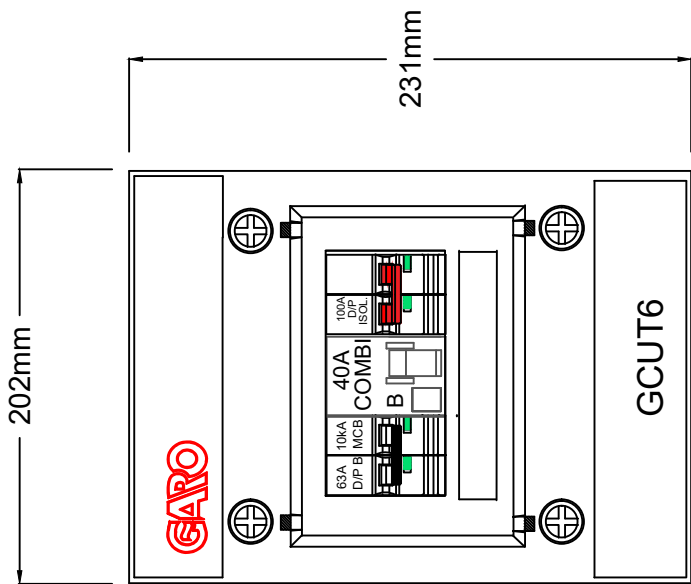


### Technical data GC6EV40

Rated current	63A
Rated voltage	230 V AC
Frequency	50/60 Hz
Rated Conditional Short Circuit (Icc)	10KA
Main Device	63A DP MCB 10KA
Additional Devices	40A RCBO & 100A Isolator
Operation	N/A
Degree of protection	IP65
Total number of ways	6
Total Number of free ways	0
Height..mm (H)	231
Width..mm (W)	202
Depth..mm (D)	113
Ambient temperature (C)	-25.....+55
Storage temperature (C)	-35.....+55
Terminals	25mm
Material	ABS
Standard	EN 61439-3
Warranty (Mechanical Components)	5 Years
Warranty (Electronic Components)	2 Years

### Technical Data

- Degree of Protection: IP65
- Resistance to Impact: IK08
- Auto-extinguishing degree: HB (UL94)
- Test of resistance to glow wire: 650° C
- Ball Pressure Test: 70° C
- Range of temperature under normal conditions: -25°C - +40°C
- Halogen free materials  
ABS and polycarbonate



NO	DESCRIPTION	DATE	NAME	CHECK	APPD	PROJECT EV Distribution Board c/w Main Overcurrent Device For installation in ESB Meter Box	DRAWING No. <b>G6EV40</b>	SHEET - 1



Unit 19 / 307  
Northwest Business park  
Ballycoolin  
Dublin 15



Dokument/document		Utgava datum/edition date
Försäkran om överensstämmelse/ Declaration of conformity		2018-06-14
Avdelning/department		
Kvalite/Quality		
Ansvarig/prepared	Version	Sida/page
Magnus Arvidsson	3	1 av/of 1

Supplier/Tillverkare: *GARO AB*  
*Box 203*  
*S-335 25 GNOSJO* Telephone: *+46 (0)370 33 28 00*  
*Sweden* Telefax: *+46 (0)370 33 28 50*

Supplier established within EU/Ombud etablerad inom EG

Supplier of equipment /Materielslag : Consumer unit/Normcentral

Trade Mark/ Varumärke: GARO

Type Designation / Typbeteckning: G, GS, GC, 4, 6, 8, 10, 12, 14,16,18, 21, 28, 32, EV,  
S, R, C, PME.

We hereby declare that our product fulfils the requirements of following EC directives/  
Vi intygar härmed att vår produkt uppfyller krav enligt följande EU direktiv:

- The Low Voltage Directive (LVD) 2014/35/EU / Lågspänningsdirektivet (LVD) 2014/35/EU.
- Electromagnetic compatibility (EMC) 2004/108/EU / Elektromagnetisk kompatibilitet (EMC) 2004/ 108/EG.
- RoHS Directive (RoHS) 2011/65/EU / RoHS direktivet (RoHS) 2011/65/EG.
- No electromagnetic compatibility (EMC) immunity or emission tests are required on the assembly/  
Produkten innehåller inte elektroniska apparater som påverkas enligt förbehållen enligt direktivet  
(EMC) 2004/108/EG.

The following harmonised standards (latest edition) or technical specifications which comply with good engineering practice in safety matters in force within the EU have been used in the design: /

Följande harmoniserade standarder (senaste utgåva) eller tekniska specifikationer som uppfyller god säkerhetsteknik praxis inom EG har använts i konstruktionen: SS EN 63439-3

The equipment conforms completely with the above stated harmonised standards or technical specifications. /  
Materielen överensstämmer helt med ovan angivna harmoniserade standarder eller tekniska specifikationer.

Or/ Eller

- The equipment confirms only partially with the above stated harmonised standards or technical specifications but complies with good practice in safety matters in force within the EU. /  
Materielen överensstämmer endast delvis med ovan angivna harmoniserade standarder eller tekniska specifikationer, men uppfyller god säkerhetsteknik praxis inom EG.

We have product surveillance according to CENELEC's harmonised requirements, documents CCA-201.

Garo AB  
Company/Företag

2018-06-14  
Date/Datum

Sign/Underskrift

Environmental- and Quality Manager/Kvalitets- och Miljöchef  
Position/Befattning

Magnus Arvidsson  
Name / Namnförtydligande