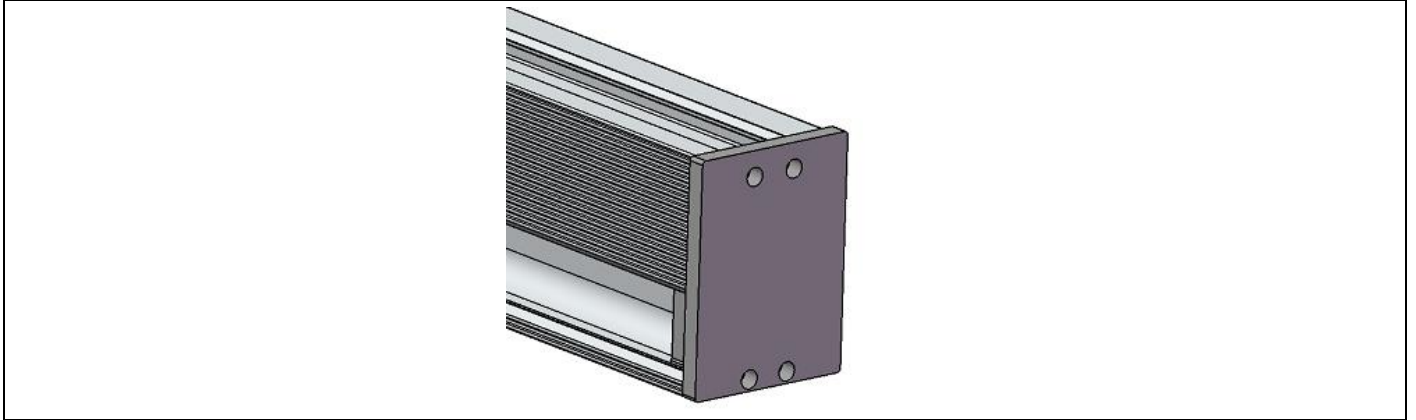
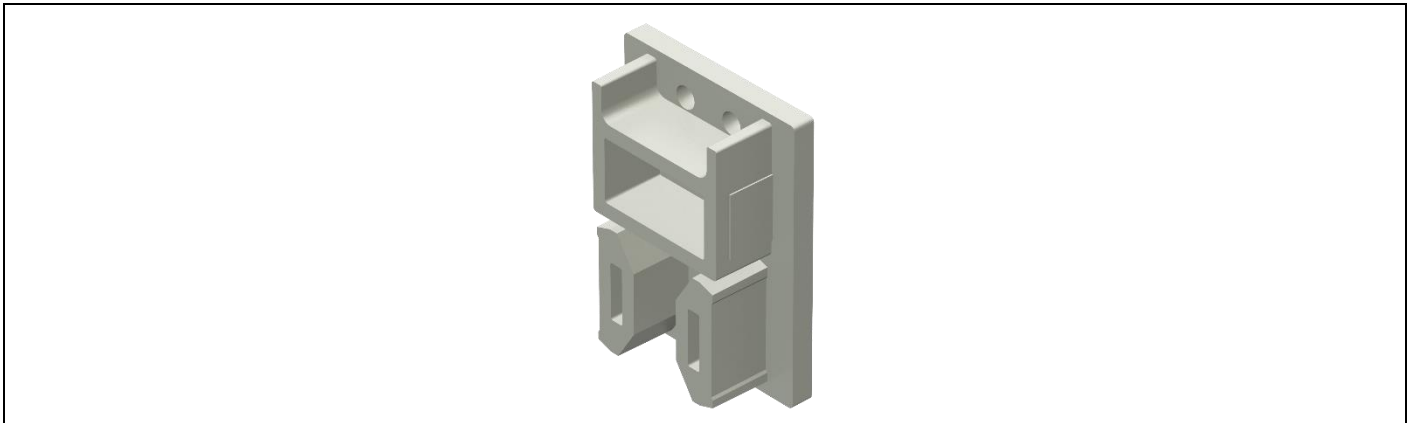


Cap for DC Rail 50

Assembly

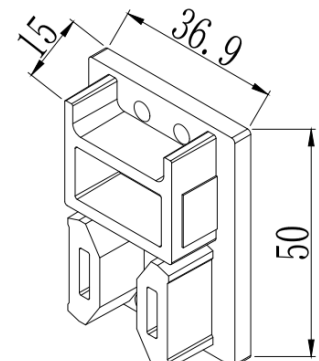


Component



Cap for DC Rail 50
Part No.: EZ-CAP-DC50

Technical Specification

| | | |
|-------------|---|---|
| Application | Press into the end of DC Rail 50 |  |
| Dimensions | L36.9*W15*H50mm | |
| Weight | 0.007 Kg | |
| Packaging | 750 pcs per carton | |
| Material | Silica gel | |
| Color | Grey | |
| Standard | GB50797 AS NZS1170.2-2011 EN1991 JISC8955 ASCE 7-10 | |