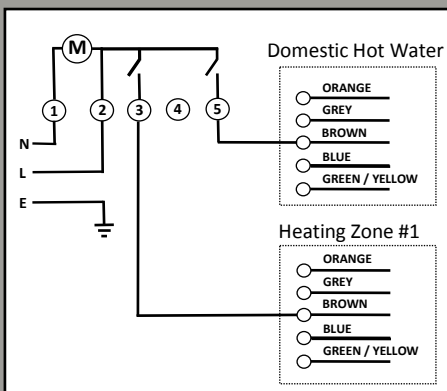




OPTIMUM

APP QR CODE:



Connections for SBWF02:

Controlling 1 heating zone and 1 domestic hot water using 2 x 2-port zone valves

PRODUCT DATA SHEET

OP-SBWF02

- WiFi TIME SWITCH
- SOCKET BOX MOUNTING
- 2 CHANNEL
- REMOTE CONTROL
- MANUAL CONTROL
- EASILY PROGRAMMABLE WITH SMARTPHONE APP



The OP-SBWF02 is a WiFi Socket Box Time Switch with two 230V AC 50Hz normally open switched outputs. Remotely programmable via the user's home WiFi hub and a smartphone app. Via the app it can be programmed for a timed switching sequence on a 24 hour or 7 day basis. It controls two independent 230V switched outputs with a resistive rating of 5 amperes per channel. There are two manual override buttons on the device, or it can be manually overridden via the app, whether the user is in wifi range, or remotely if the smartphone has a data signal. Additional WiFi switches can be added to the system - a standard WiFi router has capacity for up to 15 devices. Devices can be grouped, and work with either amazon alexa or google home. Security is military grade A.E.S. encryption, with dynamic key allocation and an https encrypted channel.

- General Purpose Timeswitch
- Designed To Mount Directly Over A Single Pattress
- 24 Hour / 7 Day Programming
- Day Group Programming
- Timed On/Off
- Override On/Off Buttons
- 15 On/off Programmes shared between channels
- 2 normally open 230V AC 50Hz switched outputs
- Minimum Setting 1 Minute
- Max load: 10 Amp Resistive, 5 Amp per channel
- Wlan 802.11 b/g/n 2.4 GHz
- Security: A.E.S. + Dynamic Key
- Not Suitable For Discharge Or Led Lighting Without A Contactor

OPTIMUM

OP-SBWF02 Two Channel WiFi Socket Box Timer



Cert No: RS 30178

TFC GROUP LLP, TOWER HOUSE, VALE RISE, TONBRIDGE, KENT TN9 1TB

Tel: 01732 351680 Fax: 01732 354445 www.tfc-group.co.uk

QR057 Prepared for TFC Group LLP By: M. Edmonston

Issue 1: August 2018

Page 1 of 1