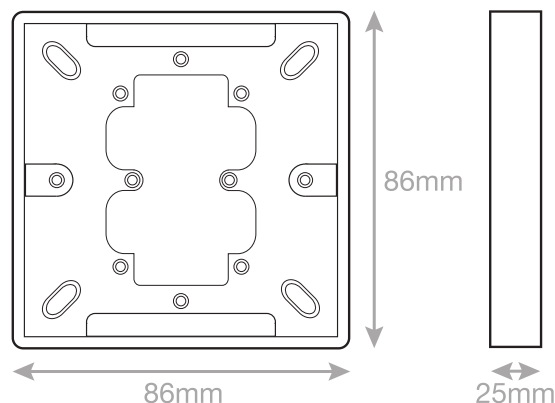


Data Sheet : LG828-25



Code	LG828-25
Description	1 Gang Surface Pattress Box - 25mm Deep
Size	86mm x 86mm x 25mm depth
Range	Selectric Square
Colour	White
Material	Urea
Weight	0.09kg
Inner Carton Quantity	10
Inner Carton Weight	0.9kg
Barcode	5025117013090
Commodity Code	85369085
Standards	BS 5733
Notes	<ul style="list-style-type: none"> • Surface mount Pattress are used for electrical accessories that sit on the surface of walls The Pattress is screwed in place, and knockouts are provided for cable entry • Knockouts providing many mounting options