

LED Flood light-B

80W / 100W / 150W / 200W



Certificates

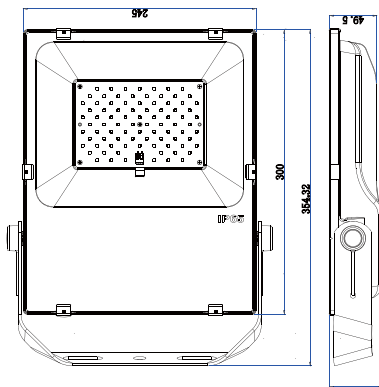


Application

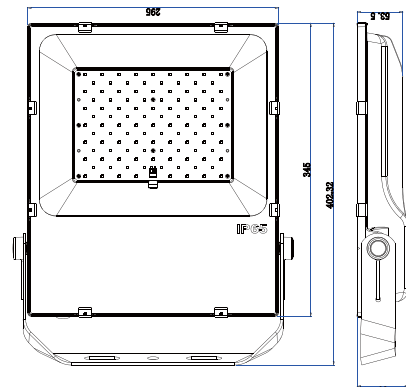
Billboard, Road, Tunnel, Building, Bridges and culverts, Square, etc.



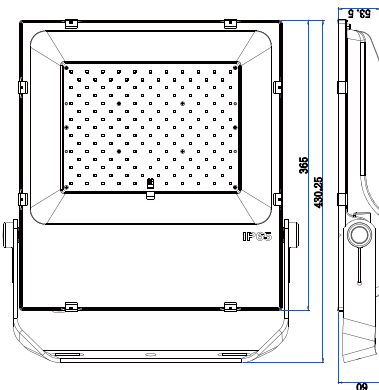
Dimension (Unit: mm)



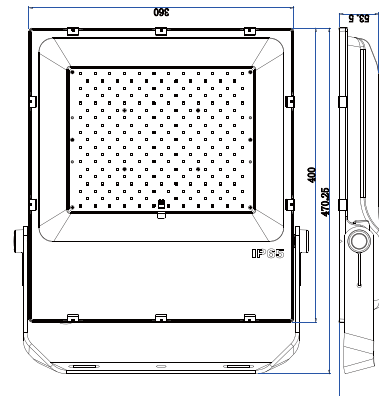
80W



100W



150W



200W

Technical Specification



A: Technical Parameter

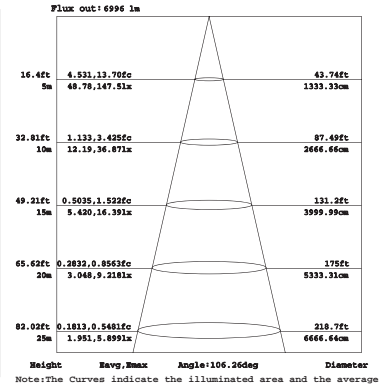
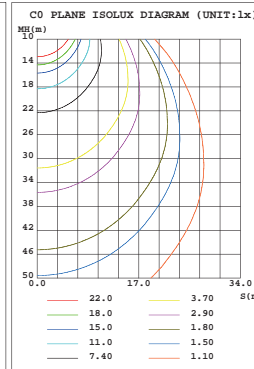
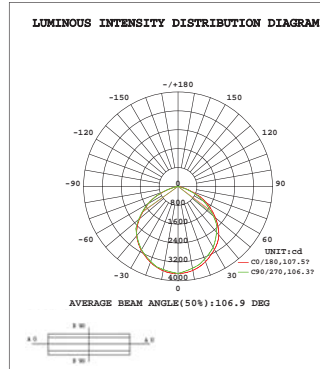
Item	HYFLD-80W	HYFLD-100W	HYFLD-150W	HYFLD-200W
Dimension	354.32*245*55 mm	402.32*295*60 mm	430.25*330*60 mm	470.25*360*60 mm
Voltage	AC85V- 265V~50/60HZ			
Power	80W	100W	150W	200W
LED Driver				
LED Type	Philips3030 / Nichia			
LED Quantity	80pcs	100pcs	150pcs	240pcs
Lumen (±10%)	8400lm	12000lm	18000lm	24000lm
Color Temperature (CCT)	2700K-6500K			
Beam Angel	120°			
Color Rendering Index (CRI)	Ra >80			
Power Supply Efficiency	>95%			
LED Luminous Efficiency	Up to 120lm/W			
Power Factor (PF)	>0.95			
Total Harmonic Distortion (THD)	≤15%			
IP Rank	IP 65			
Certificate	C-TICK, SAA, CE, CB			
Material	AL+Glass			
G.W.	3.2KG	4.2KG	5.5KG	6.2KG

B: Environmental

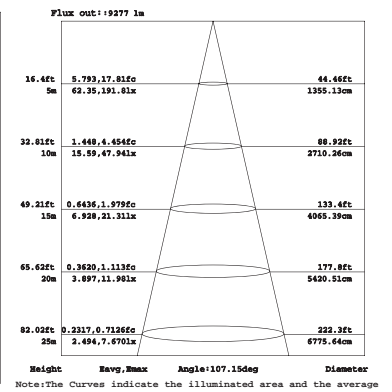
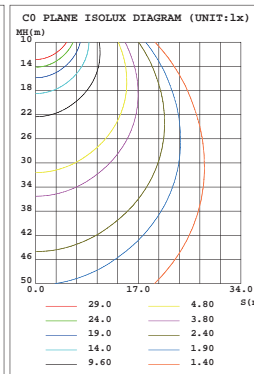
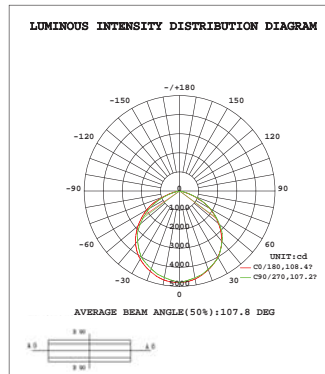
Temperature Range Operating	-20°C to 50°C
Humidity Range Operating	10% to 80%
Temperature Range Storage	-40°C to 65°C
Humidity Range Storage	10% to 80%

Plane Isolux Curve & Illumination Cone Curve

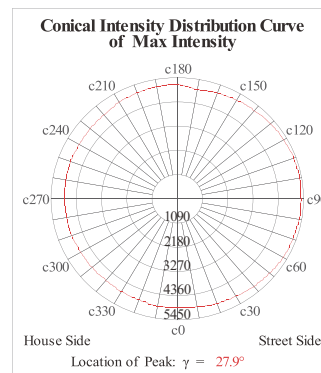
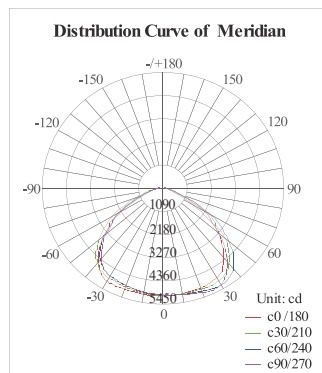
80W



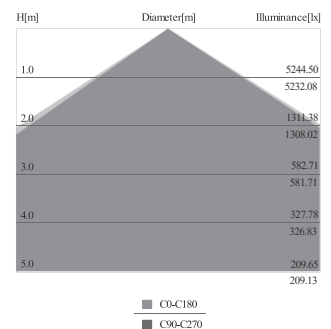
100W



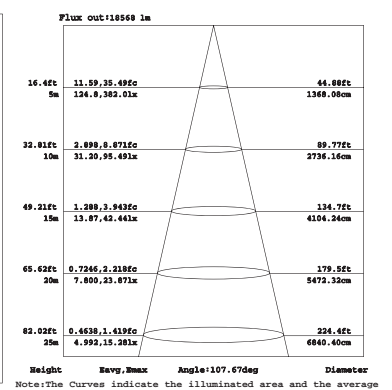
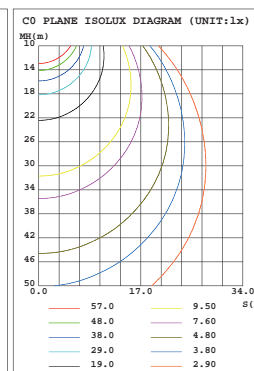
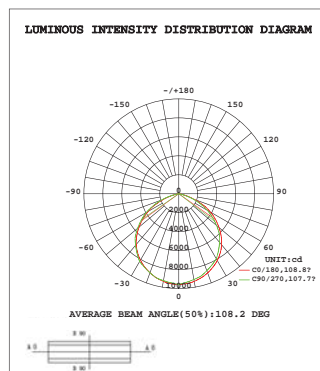
150W



Illumination Cone Curve



200W



Layers



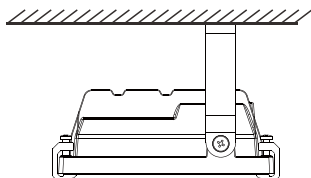
Installation

Attention before installation:

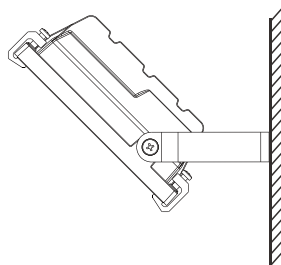
- Open the packing and check the product tenderly
- If any damage, please contact your seller.
- Do not use the defective product.
- Installed by licensed electrician
- Disassembly and repair is prohibited by non professional person, warranty is not offered to those products which are disassembled and repaired

Installation:

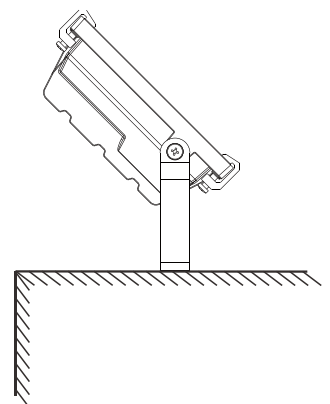
- Make sure power is off before installation
- Make two holes as "A" and tight with screws
- Rotate the light to adjust the needed lighting angle
- Connect light with LED driver.
- Connect cable
- Turn it on



A:Ceiling installing



B: Wall mounted installing

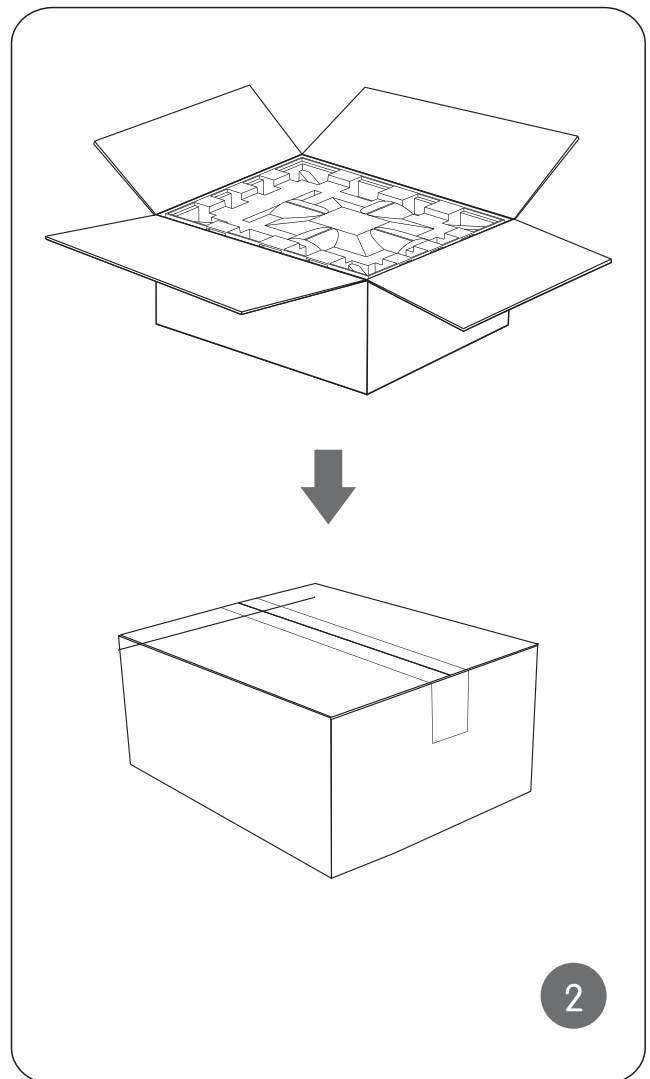
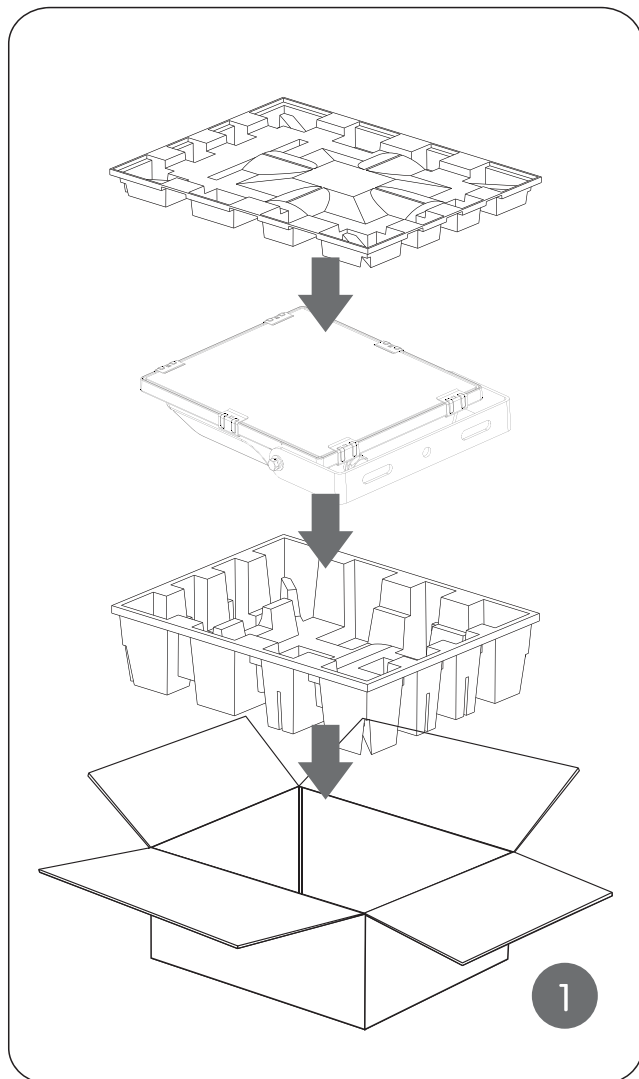


C: Vertical installing

Packing

A: Packing Information

Item	HYFLD-80W	HYFLD-100W	HYFLD-150W	HYFLD-200W
Box Size	43.5*34*13 cm	48*39*13.5 cm	51*43*13.5 cm	55.5*46*13.5 cm
G.W.	3.2KG	4.2KG	5.5KG	6.2KG
QTY/Box	1pcs	1pcs	1pcs	1pcs



Compliance and Standards

1. Insulation Resistance

The IR shall be at least 50MΩ when apply 500Vdc between primary and secondary

2. Dielectric Strength (Hi -pot)

Input To Output 3750Vac 60Hz 1minute ≤3MA

When AC voltage of 3.75KV is applied, and the voltage applied to the insulation under test is gradually raised from zero to the prescribed voltage in 1s, and held at that value for 60s between the inputs. and output and between the input and housing, the current sensitivity shall be less than 5mA. After this test, the adapter shall exhibit no electrical and mechanical abnormalities.

3. Leakage Current

The leakage current shall be less than 0.25m A for class II when power supply is operated maximum input voltage and maximum load.

4. Safety Standard

3A-1501NP IEC:60598-1:2008 IEC61347-1/A1:2010 IEC61347-2-13:2006 IEC62031:2008
IEC62471:2006 IEC62471-2:2009: Passed
EN60598-1/A11:2009 EN61347-2-13:2006 EN61347-1/A1:2011 EN62031:2008 EN62471:2008
EN61195:1999 EN62493:2010: Passed

5. EMI/EMS Standard

EN55015:Passed
EN61000-3-2:Passed
EN61000-4-2:Passed