

Motion detectors

# IS 2160 ECO

white

EAN 4007841 606015

**STEINEL**<sup>®</sup>  
PROFESSIONAL



infrared sensor  
160°



max. 12 m

600W

600W max.



IP54



40° horizontal, 70°  
vertical



2 - 2000 lux



8 sec - 35 min



Ideal 2 m



energy saving

**5** JAHRE  
HERSTELLER  
GARANTIE

manufacturer's  
warranty  
steinel-professional.de/garantie

## Function description

This one sees everything. Infrared motion detector IS 2160 ECO 160 for indoors and out, ideal for entrances and the smaller-size property, ideal installation height 2 m, 160° angle of coverage, max. reach 12 m (tangential), selectable time and twilight threshold, turns through 40° and tilts through 70°.

## Technical specifications

Type	Motion detectors
Dimensions (L x W x H)	113 x 78 x 73 mm
Mains power supply	230 – 240 V / 50 Hz
Sensor Technology	passive infrared
Application, place	Outdoors, Indoors
Application, place, room	outdoors, front door, all round the building, terrace / balcony, courtyard & driveway
Installation site	wall
Installation	Surface wiring
Switching zones	260 switching zones
Electronic scalability	No
Mechanical scalability	No
Mounting height	1,80 – 3,00 m
Optimum mounting height	2 m
Detection angle	160 °
Angle of aperture	40 °
Sneak-by guard	No
Capability of masking out individual segments	Yes
Reach, radial	r = 3 m (13 m <sup>2</sup> )
Twilight setting TEACH	No

Twilight setting	2 – 2000 lx
Time setting	8 s – 35 Min.
Switching output 1, resistive	600 W
Switching output 1, number of LEDs / fluorescent lamps	4 pcs.
Constant-lighting control	No
Basic light level function	No
Settings via	Potentiometers
With remote control	No
Interconnection	Yes
IP-rating	IP54
Material	Plastic
Ambient temperature	-20 – +50 °C
Colour	white
Colour, RAL	9010
IDs, certificates	VDE
Manufacturer's Warranty	5 years
Version	white
PU1, EAN	4007841606015

<https://www.steinel.de>

Motion detectors

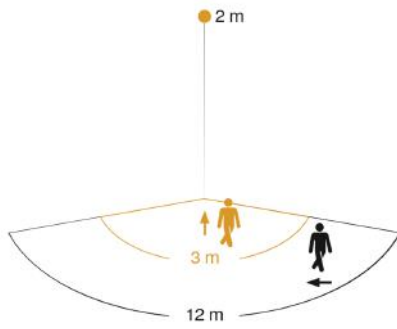
# IS 2160 ECO

white

EAN 4007841 606015

**STEINEL**<sup>®</sup>  
PROFESSIONAL

## Detection Zone

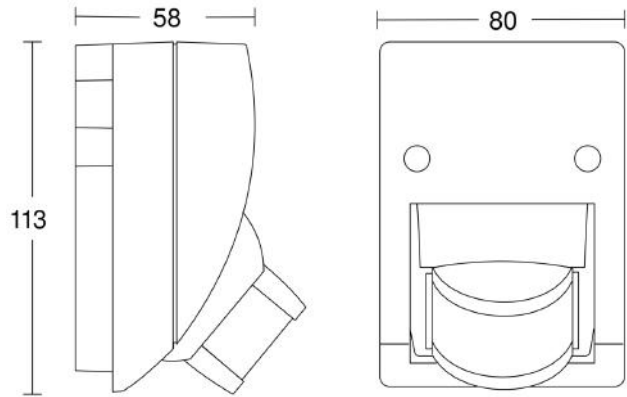


Mögliche Montagehöhe: 1,80 m – 3,00 m

Orange: radial

Schwarz: tangential

## Dimension Drawing



## Circuit diagram

