

Motion detectors

IS 2180 ECO

white

EAN 4007841 034696

STEINEL[®]
PROFESSIONAL



infrared sensor
180°



max. 12 m

2000w

max. 2000 W



IP54



Ideal 2 m



2 - 2000 lux



5 sec - 15 min



energy saving



CE



5 JAHRE
HERSTELLER
GARANTIE
manufacturer's
warranty
steinel-professional.de/garantie

Function description

Attractive, clever, efficient. Infrared motion detector IS 2180 ECO for outdoors, ideal for building fronts and properties, medium-sized business and outdoor spaces, ideal installation height 2 m, 180° angle of coverage, reach. 12 m max. or 5 m max. (tangential), selectable time and twilight threshold, manual override, including corner wall mount for external and internal corner.

Technical specifications

Type	Motion detectors
Dimensions (L x W x H)	120 x 78 x 55 mm
Mains power supply	230 – 240 V / 50 Hz
Sensor Technology	passive infrared
Application, place	Indoors
Application, place, room	outdoors, front door, all round the building, terrace / balcony, courtyard & driveway
Installation site	wall, corner
Installation	Surface wiring
Switching zones	504 switching zones
Electronic scalability	No
Mechanical scalability	No
Mounting height	1,8 – 4 m
Optimum mounting height	2 m
Detection angle	180 °
Angle of aperture	90 °
Sneak-by guard	Yes
Capability of masking out individual segments	Yes
Twilight setting TEACH	No

Twilight setting	2 – 2000 lx
Time setting	5 s – 15 Min.
Switching output 1, resistive	2000 W
Switching output 1, number of LEDs / fluorescent lamps	6 pcs.
Constant-lighting control	No
Basic light level function	No
Settings via	Potentiometers
With remote control	No
Interconnection	Yes
IP-rating	IP54
Material	Plastic
Ambient temperature	-20 – 50 °C
Colour	white
Colour, RAL	9010
IDs, certificates	VDE
Manufacturer's Warranty	5 years
Version	white
PU1, EAN	4007841034696

<https://www.steinel.de>

Motion detectors

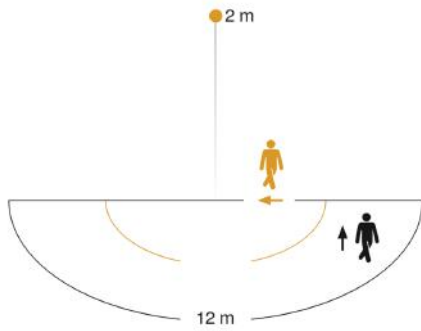
IS 2180 ECO

white

EAN 4007841 034696



Detection Zone

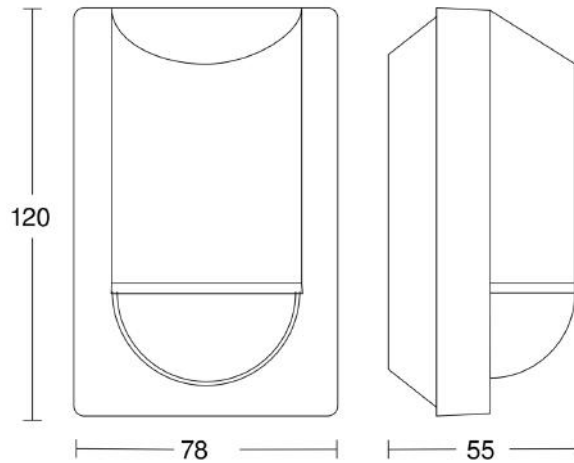


Mögliche Montagehöhe: 1,80 m – 4,00 m

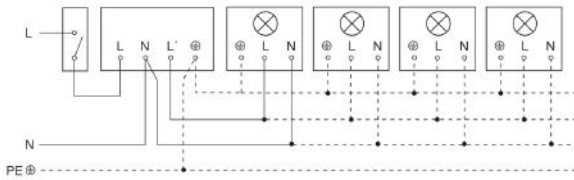
Orange: radial

Schwarz: tangential

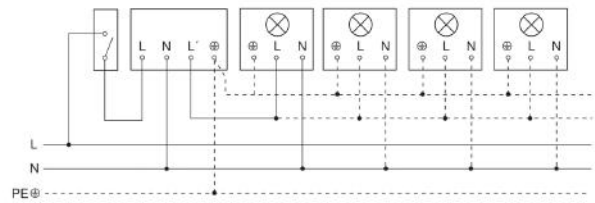
Dimension Drawing



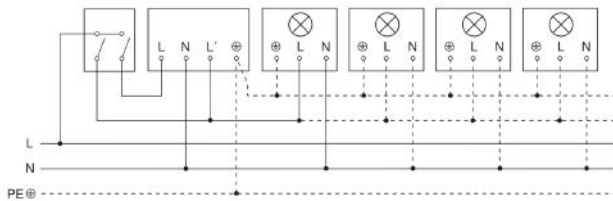
Light without neutral conductor



Light with neutral conductor



Connection using two-circuit switch for manual and automatic operation



Connection via a two-way switch for manual override and automatic operation

