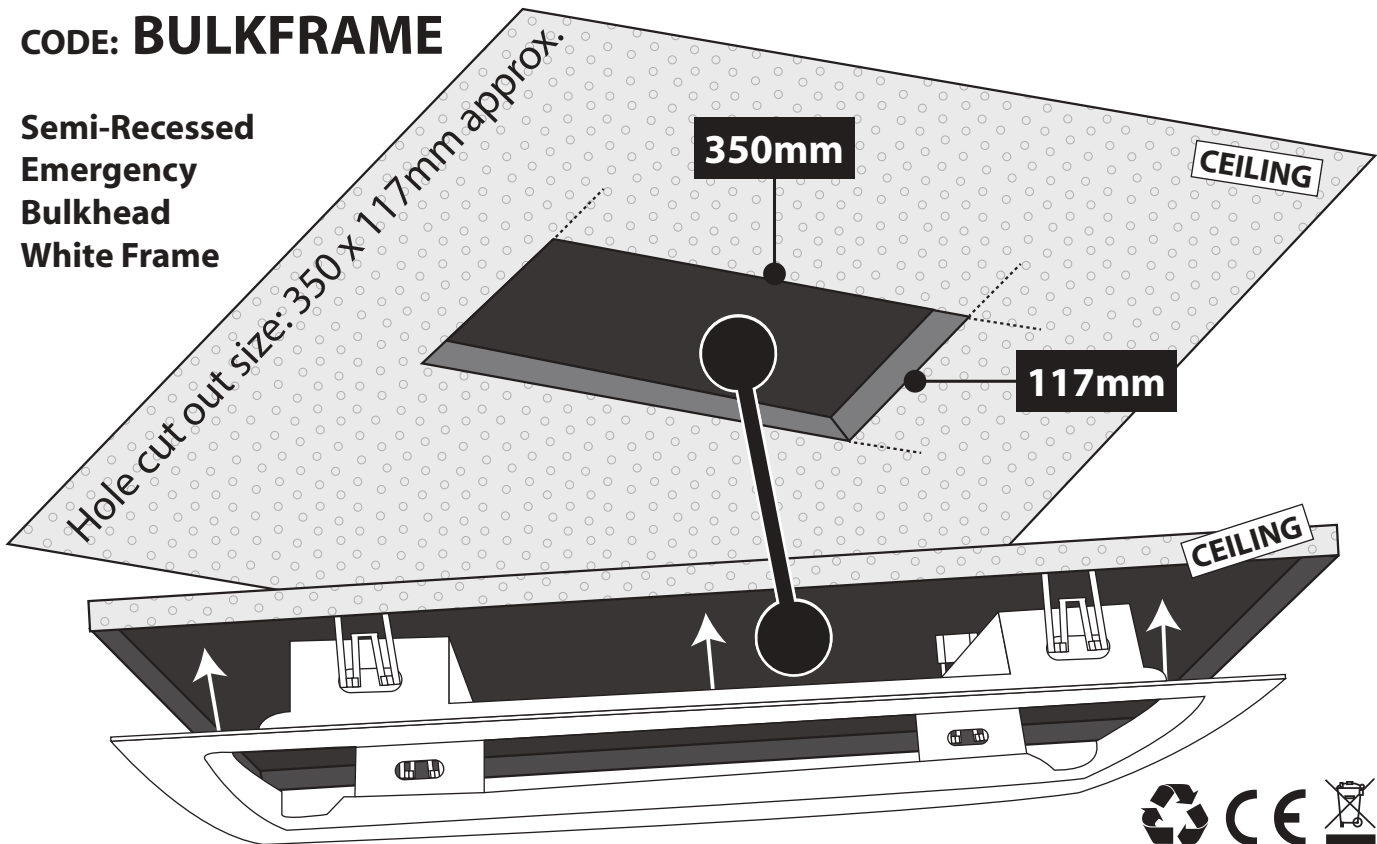


CODE: **BULKFRAME**

**Semi-Recessed  
Emergency  
Bulkhead  
White Frame**



 **Eterna**

Eterna Lighting Ltd, Huxley Close, Park Farm South, Wellingborough, Northamptonshire NN8 6AB  
T: 01933 673 144 F: 01933 678 083 E: sales@eterna-lighting.co.uk W: www.eterna-lighting.co.uk